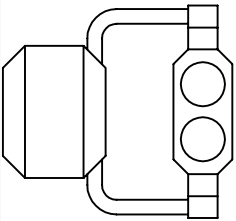
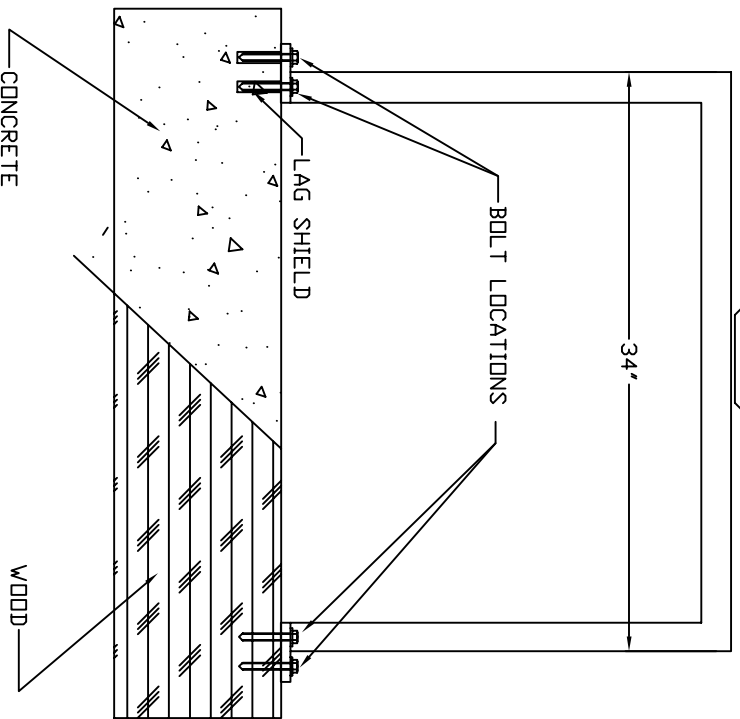


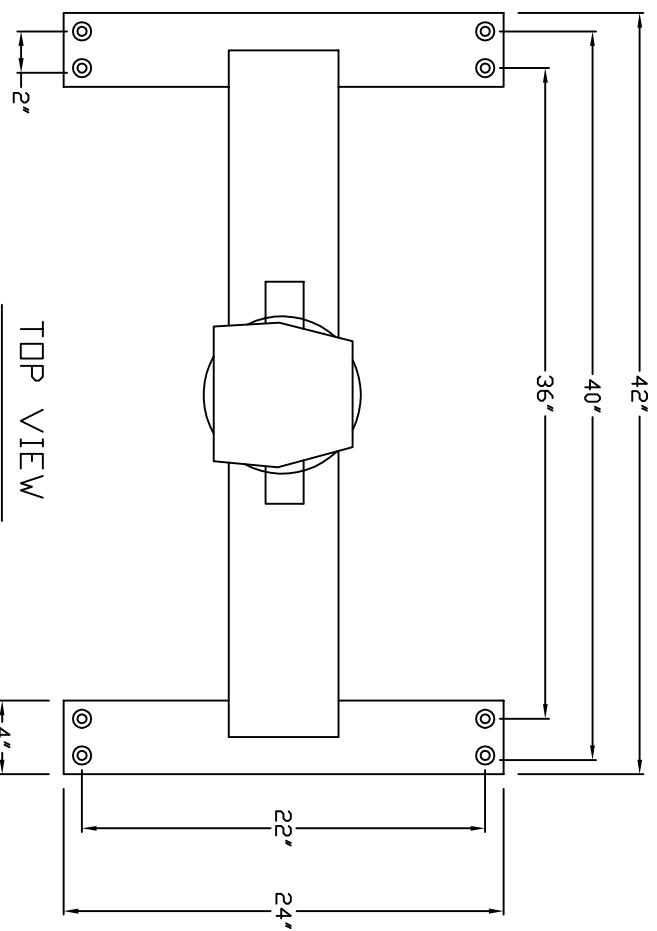
HI-SPY HANDICAP VIEWER INSTALLATION DETAIL



NOTE: DRAWINGS NOT TO SCALE



PLAN VIEW



TOP VIEW

NOTES:

- A) MACHINE CAN BE LAG BOLTED DIRECTLY INTO WOOD
- B) IF INSTALLED IN CONCRETE, FIRST MARK THE FOUR HOLES. THEN DRILL USING A 3/4" DRILL BIT, FOUR HOLES FOR LAG SHIELDS. FASTEN LAG BOLTS THROUGH MACHINE BASE INTO LAG SHIELDS.

